

# Magnetic switch

type M510-1-60

## Application and function

The magnetic switch is used for indication, control and limitation. It is a passive component and therefore it can be used in tested intrinsically safe circuits (Ex i, Zone 1).

The magnetic switches are fixed without obscuring the indication. Later add-ons are also possible.

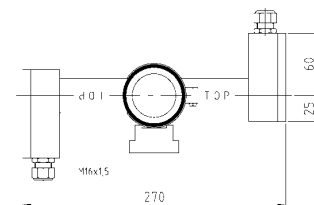
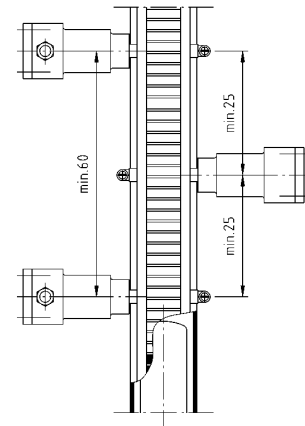
The magnetic switch is continuously adjustable with a fixing screw in the complete indication area. A magnetic system contained within the float actuates the indicating ledge and the switch.

We recommend to use known and accepted RC combinations usual in the trade or a suitable Varistor (e.g. 0,1 mF/100 Ohm) to extend the life of the magnetic switch. Resistance value ( $\Omega$ ) and power rating (W) according to customer data.

The magnetic switch may not be opened.  
Each warranty claim expires if the test seal is damaged.



## Mounting dimension



## Technical data

Contact material	Silber Palladium AgPd7030
Unblocking potential U	$\leq 250V_{ac}$
Current on contact I	$\leq 1A$
Min. contact load	$\leq 1W$
Type of contact	bistabil
All. operating temperature (Medium)	-60°C bis +400°C
Connection cable	Silicon free of acetic acid for operating temperature $> 60^\circ C$

\*) For operating temperatures (medium) starting from 150° C, never insulate switches

